

Technical Data Sheet

AP4000

Technology Description- GridBee® air powered circulation equipment are made of corrosion resistant, 316 stainless steel with a durable clog-free design and no moving parts for low maintenance. The AP4000 stays out of sight but allows for mixing of small ponds and lake with no part of the machine above the water. Specifically designed for small ponds and docks.

Materials of Construction - T316 stainless steel frame and hardware. EPDM and PVC air hose and polypropylene air hose fittings. (See Figure 1)

10 ft (15.24 m) T316 stainless steel retrieval chain included for machine retrieval.

Recommended Air Flow - 6 to 30 standard cubic feet per minute (0.17 to 0.85 standard cubic meters per minute) @ 1psi (7.0 kiloPascal) + head pressure of water height above intake plate level. 1" MNPT Air connection point.

Minimum Water Depth - Machine requires 36 inches (0.92M) of water to effectively circulate. No damage to machine when run dry in shallow water or drained condition.

Maximum Water Depth - Maximum air discharge depth is limited by the air supply pressure available.

Intake - The submergence depth on a pedestal unit is simply set by either the floor it rests on or for a suspended unit by the vertical suspending cable or chain.

Flotation Accessory - Floating option available, float balls and short chain included to allow for adjustable intake depth with respect to water surface.

(Optional Accessory)AU-400 Pump Unit - 560 watt rated air pump unit capable of producing 11.0 cubic feet per minute (0.31 cubic meters per minute) @ 2.5 psi (17 kiloPascal). 100% duty-cycle. 6ft AC pigtail cord plugs into standard 120vAC, 20 Amp Service. Sound Level: 52dB Connection: 3/4" NPT Thread. (See Figure 2)

Electrical Requirements - Optional AU-400 Air pump requires 120VAC/1PH power source outlet (minimum 20 Amp service), Current range: 7.5 amps (open discharge) - 3.7 (dead head).

Enclosed Area Warning - Air powered mixers should not be used in enclosed areas where methane or other explosive gases could build up. Some gases can explode when combined with air. Please verify that you have proper ventilation to prevent a buildup of methane gas or other gases in the headspace above the explosion limit.

Maintenance / Warranty- Limited maintenance. Limited manufacture's warranty. See Warranty Statement for details.

Patent Pending

©2024 IXOM Watercare Inc. | www.ixomwatercare.com | 866 - 437 - 8076 | watercare@ixom.com

1718_10091_20240412

Subject to change without notice.

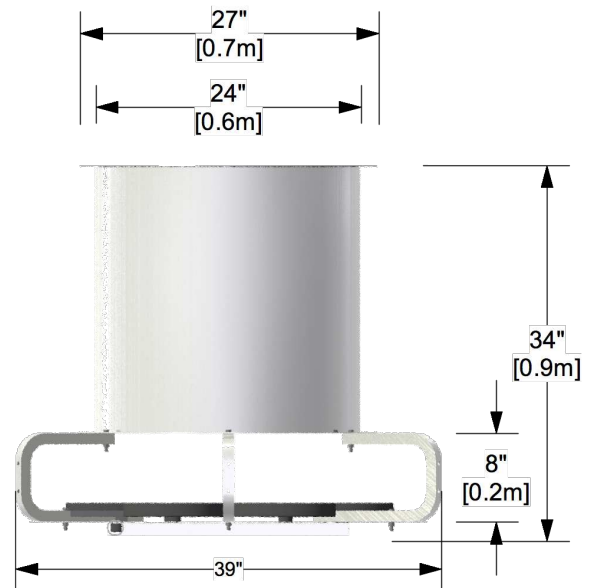


Figure 1: AP4000

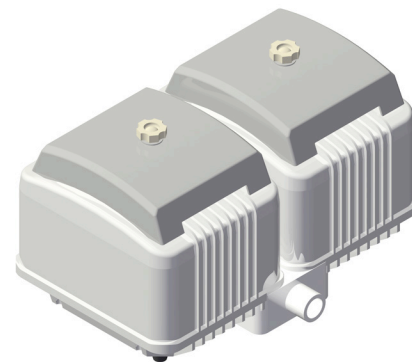


Figure 2: AU-400

Shipping Size/Weight

- **AP4000** - 42" x 42" x 48", 150lbs.
- **AU-400** - 12" x 16" x 10.5", 60lbs. (Optional)
- **100 ft Air Hose** - 36lbs. (Optional)